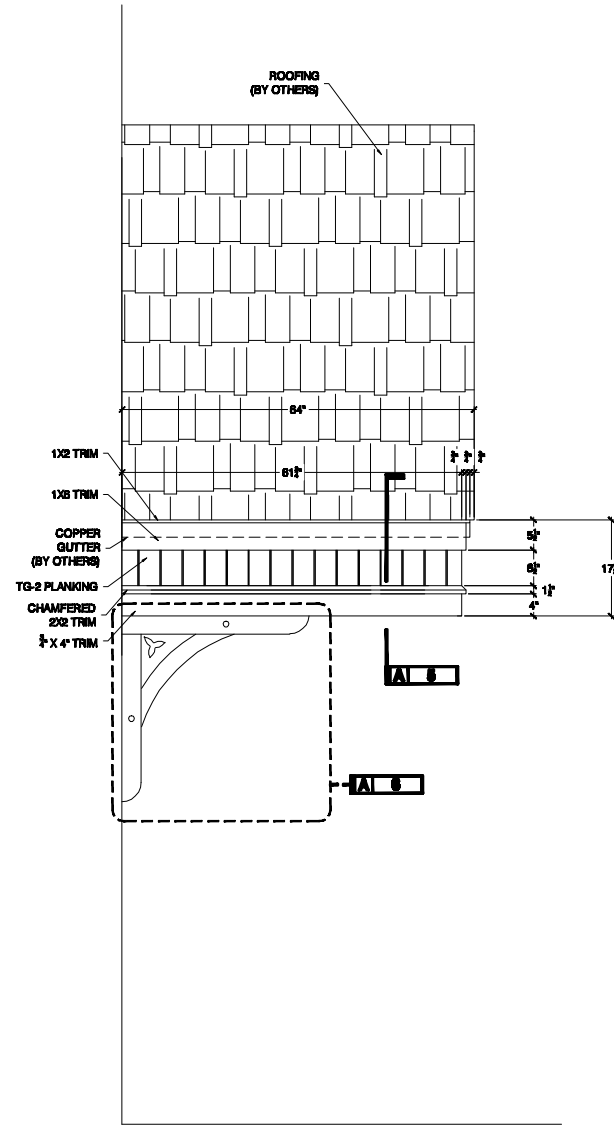
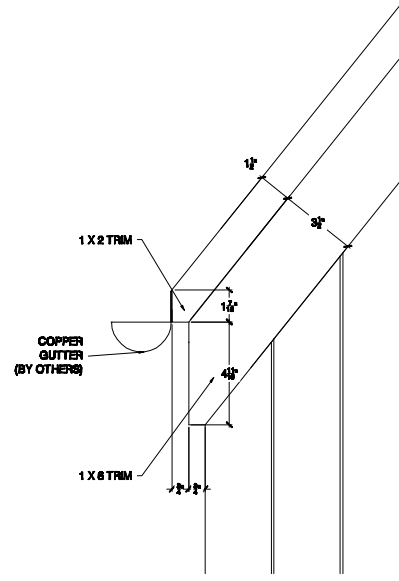


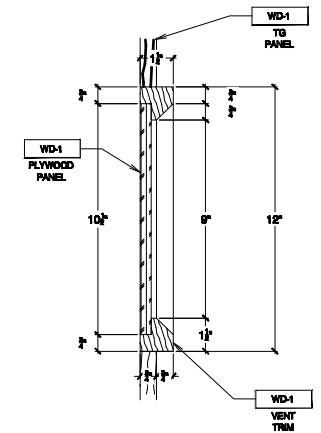
1 4 ELEVATION - NORTH CANOPY
REF: 2/A508 SCALE: 3/4"=1'-0"



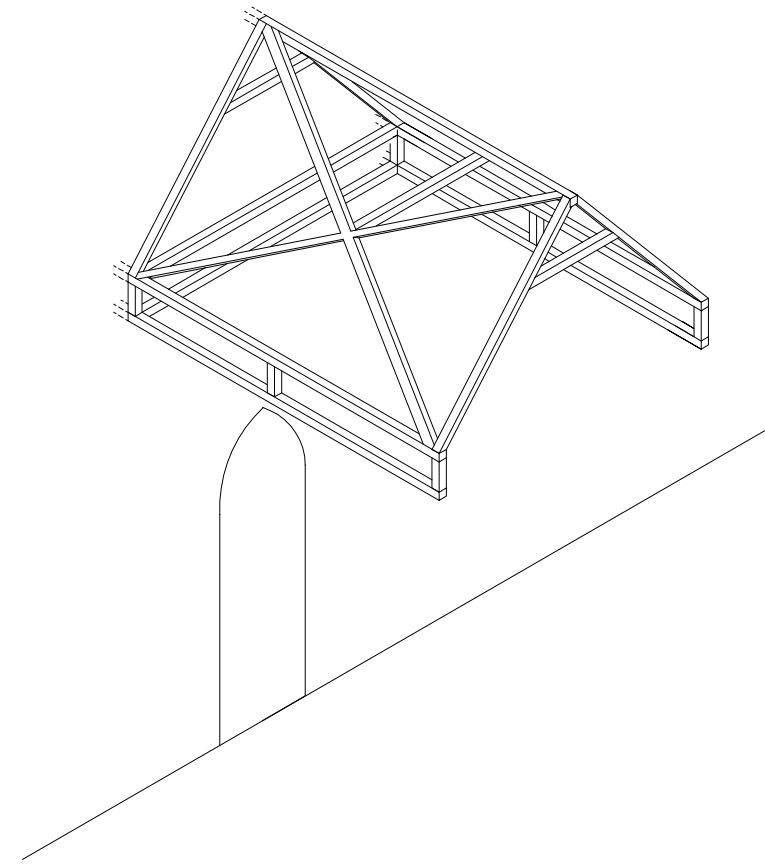
2 4 SIDE ELEVATION - NORTH CANOPY
REF: 2/A202 SCALE: 3/4"=1'-0"



C 4 DETAIL - FASCIA TRIM
REF: NONE SCALE: 3/4"=1'-0"

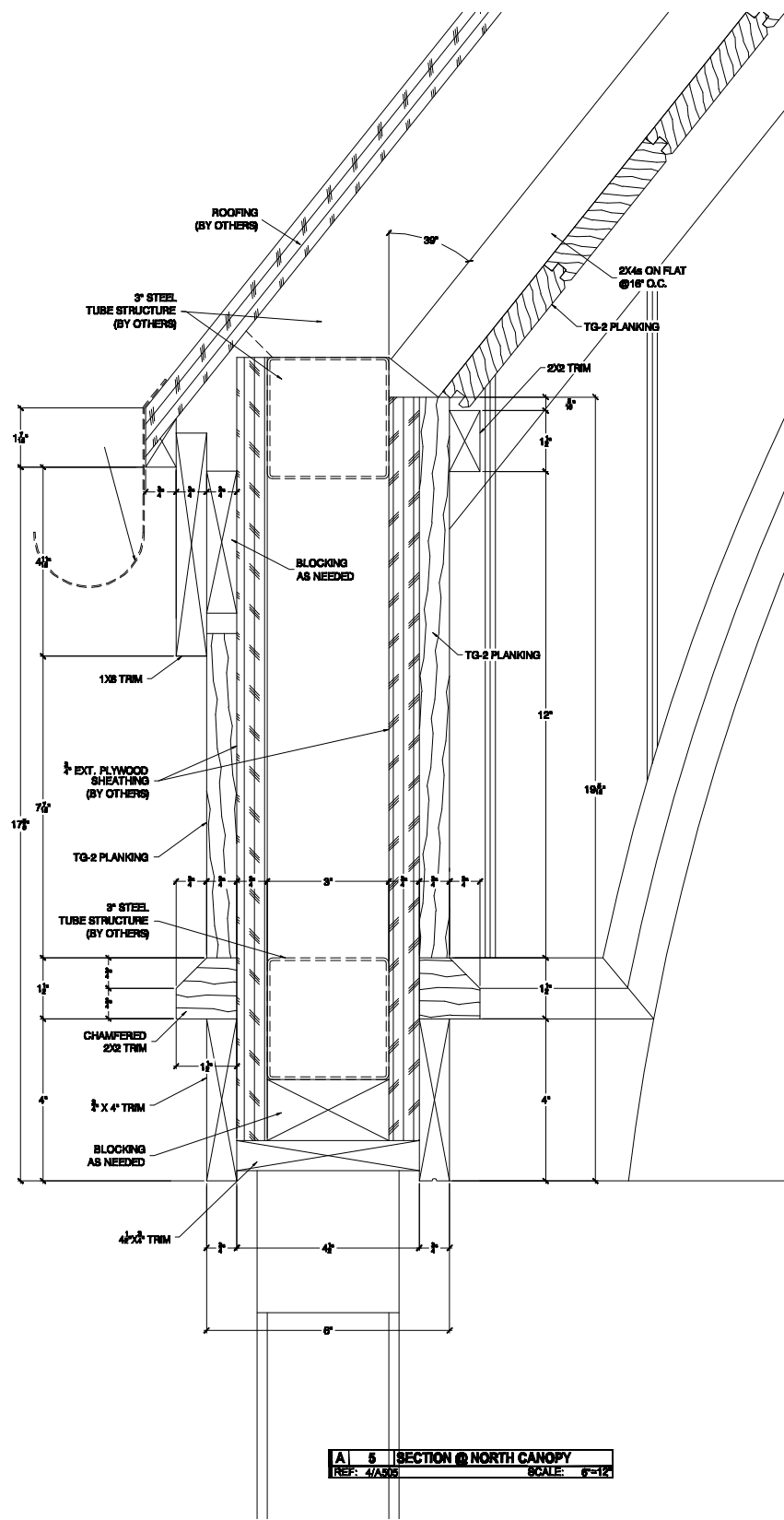


A 4 SECTION - SOFFIT VENT FEATURE
REF: NONE SCALE: 3/4"=1'-0"

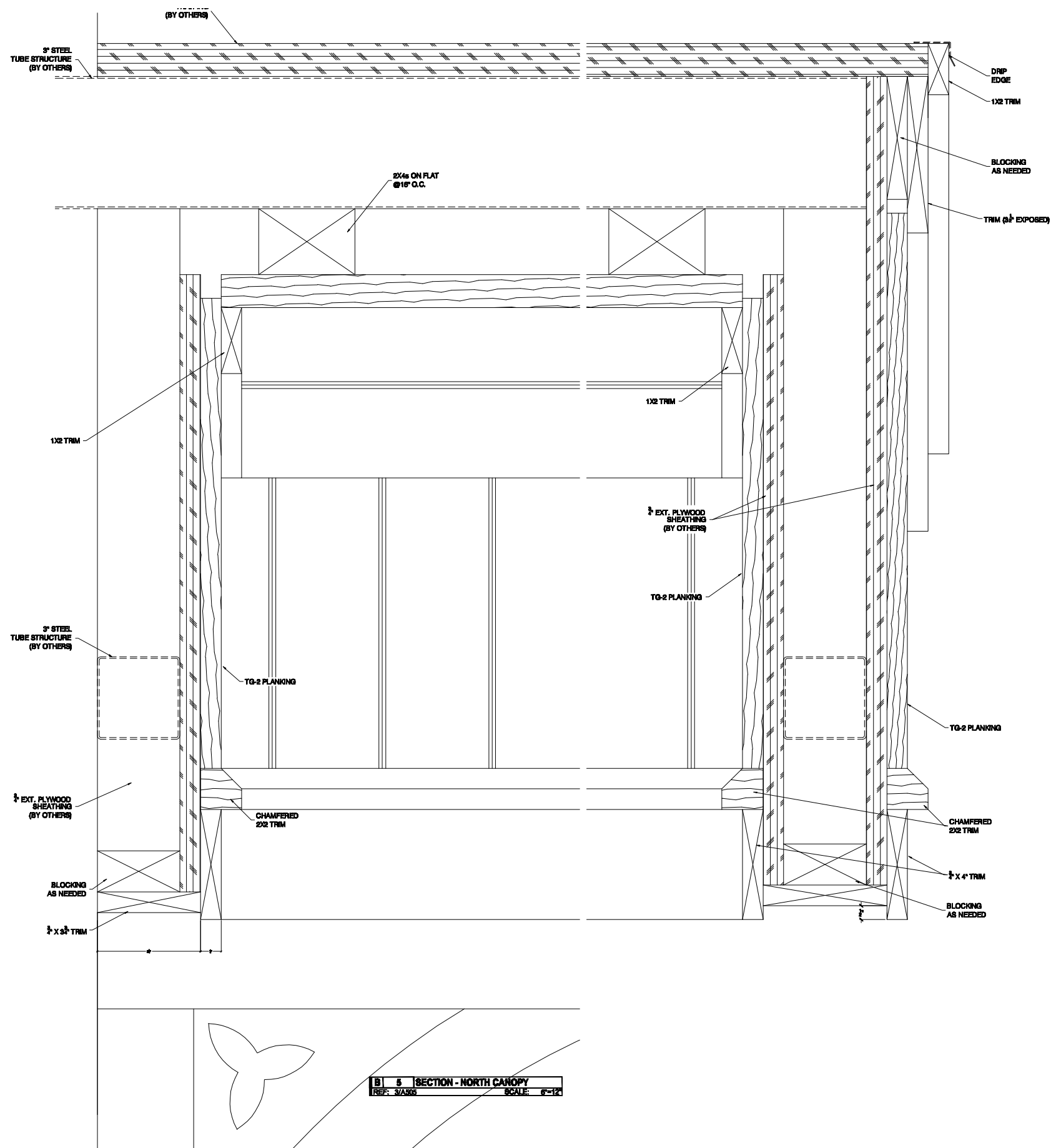


B 4 ISOMETRIC - CANOPY STEELWORK
REF: NONE SCALE: 3/8"=1'-0"



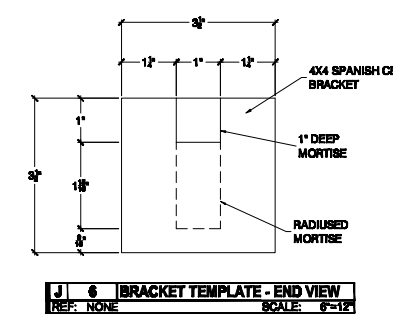
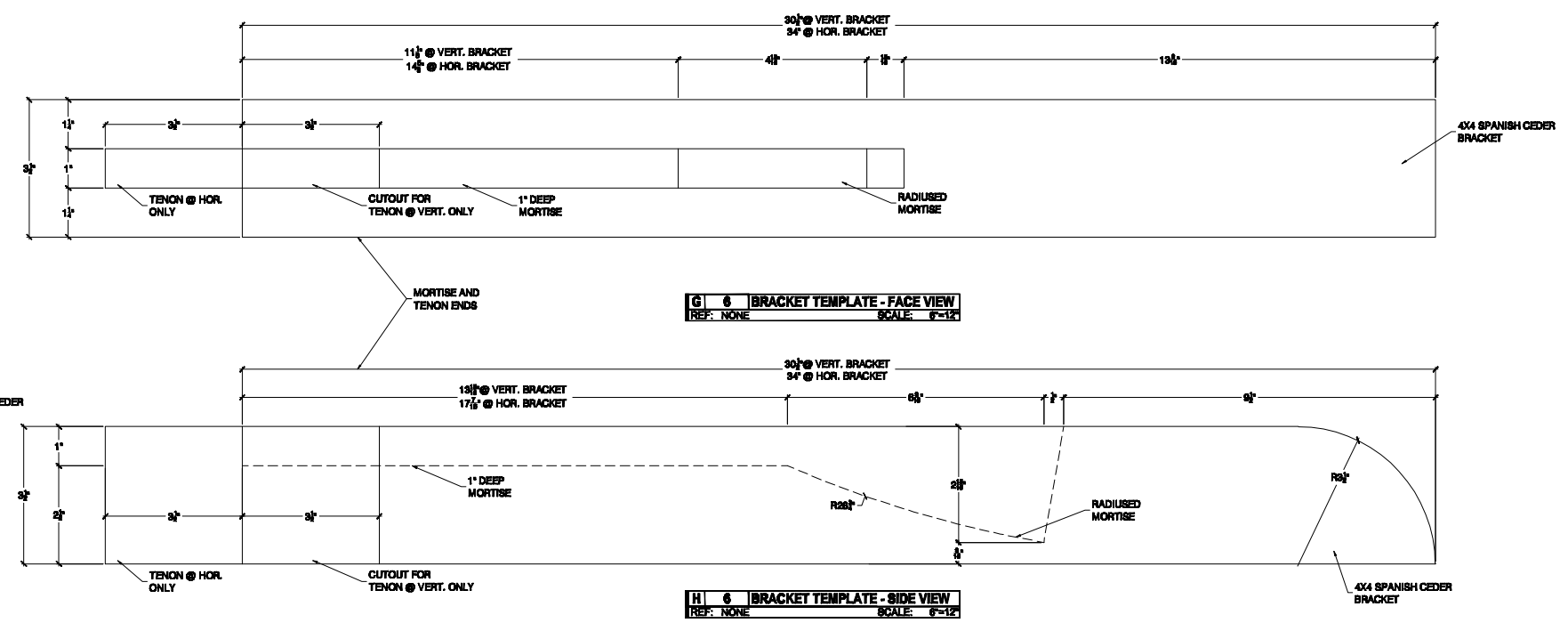
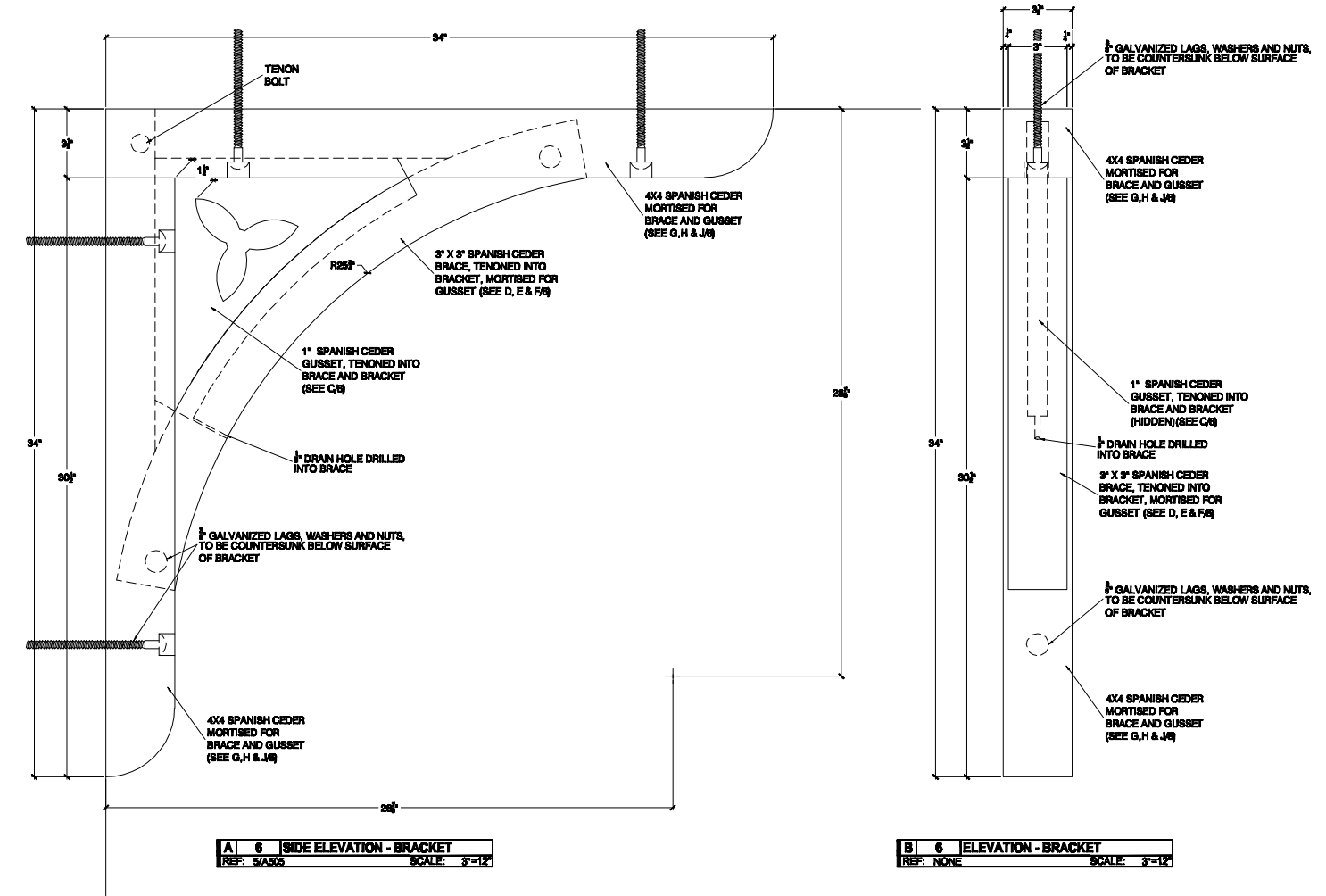


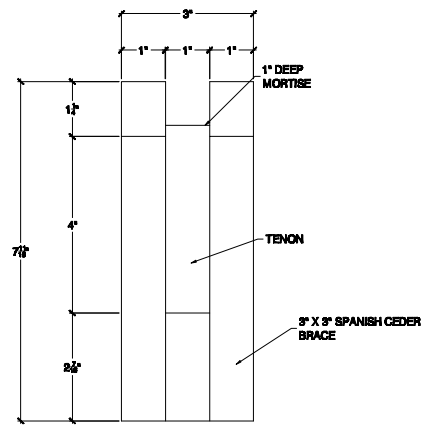
A 5 SECTION @ NORTH CANOPY
 REF: 4/AS06 SCALE: 6"-12"



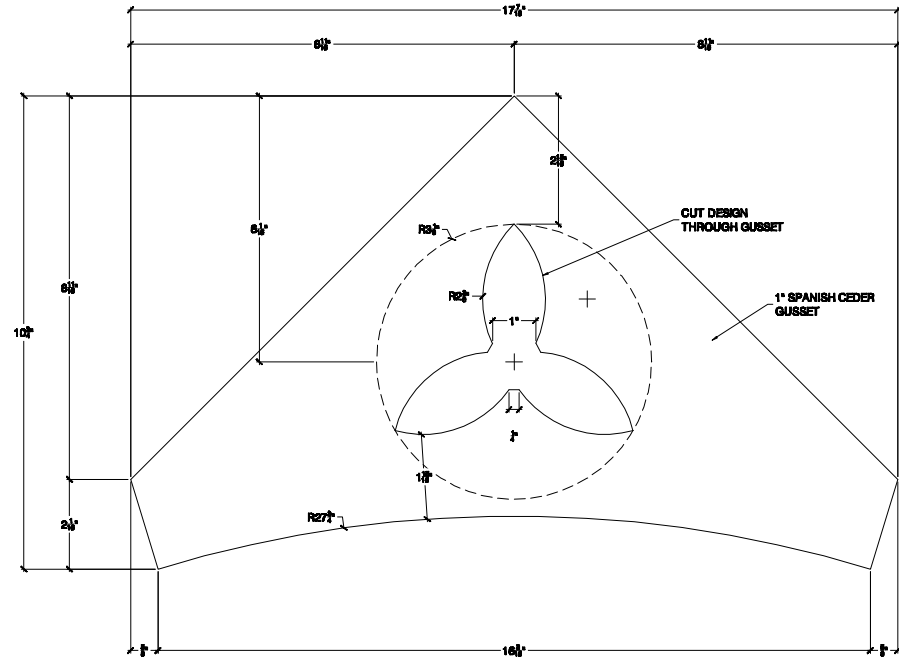
B 5 SECTION - NORTH CANOPY
 REF: 3/AS06 SCALE: 6"-12"



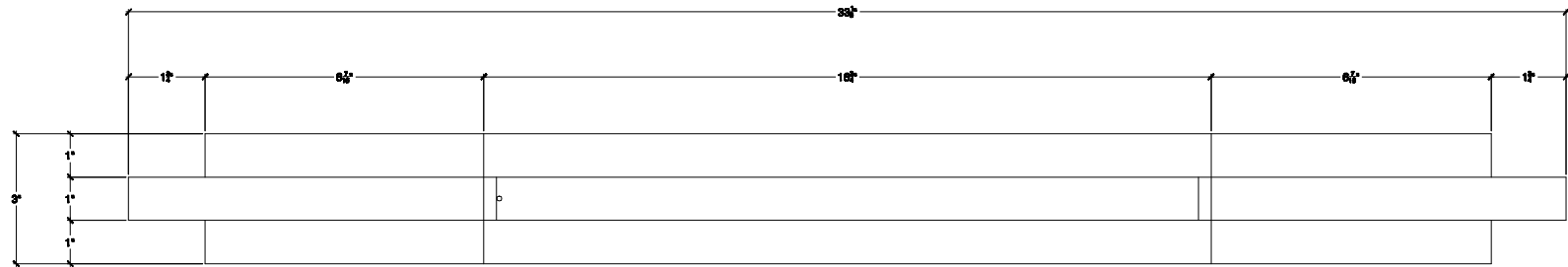




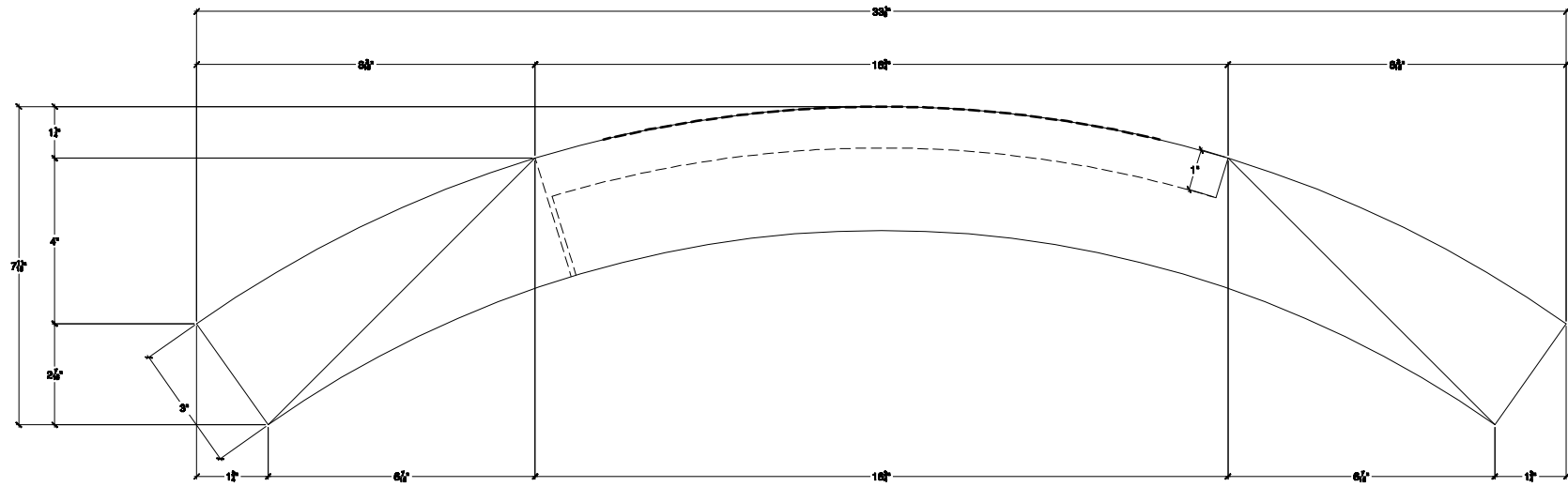
F | GA | BRACE TEMPLATE - END VIEW
 REF: NONE SCALE: 6"=12"



G | GA | GUSSET TEMPLATE
 REF: NONE SCALE: 6"=12"

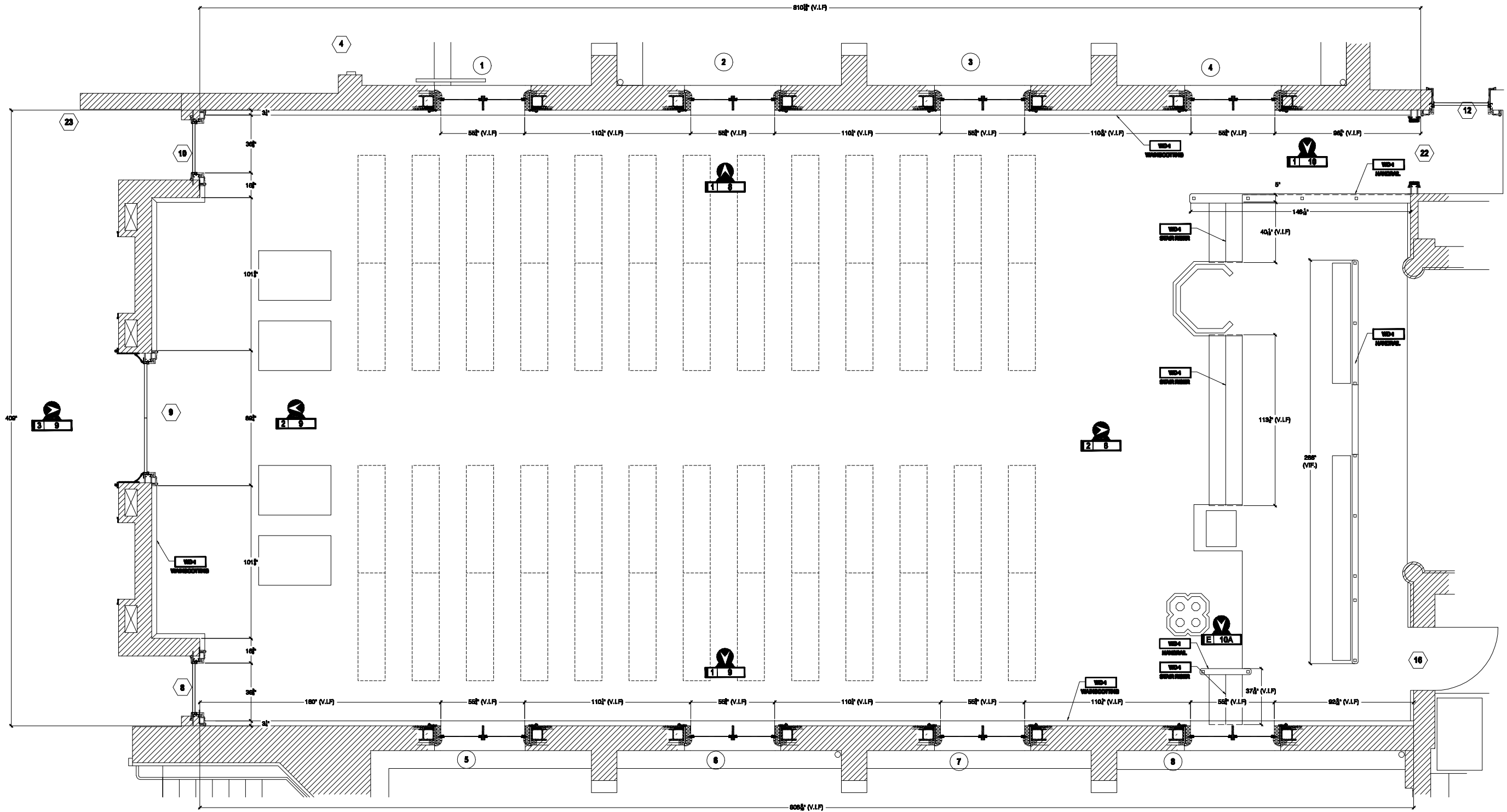


D | GA | BRACE TEMPLATE - SIDE VIEW
 REF: NONE SCALE: 6"=12"

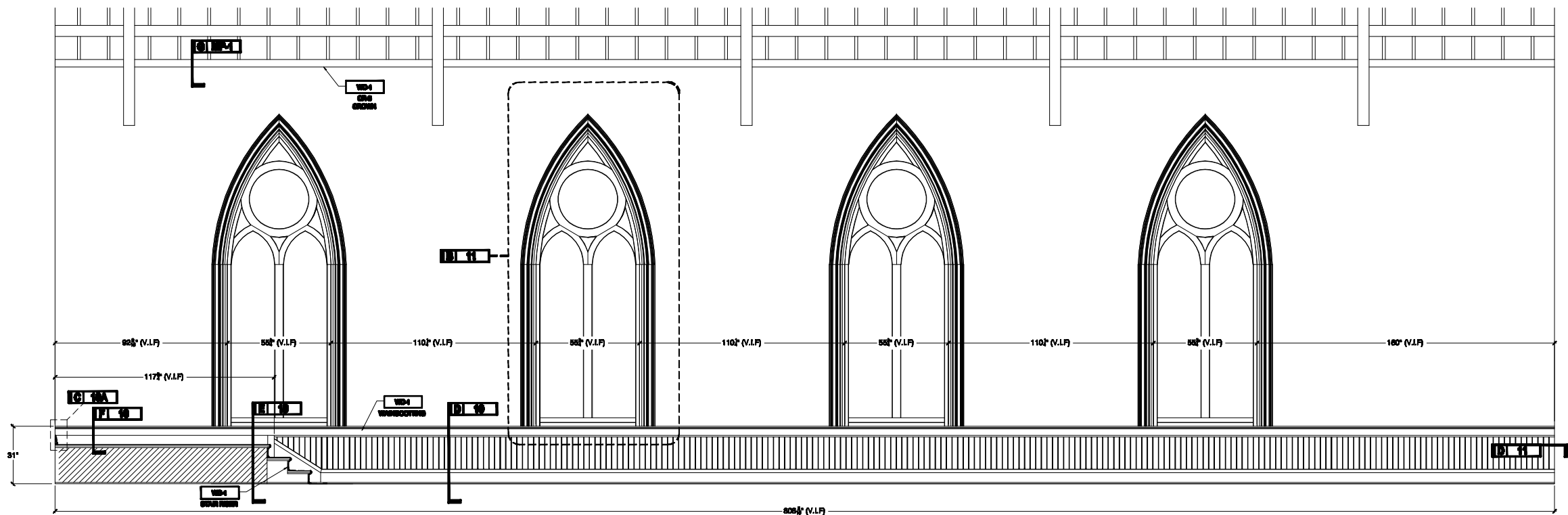


E | GA | BRACE TEMPLATE - FRONT VIEW
 REF: NONE SCALE: 6"=12"

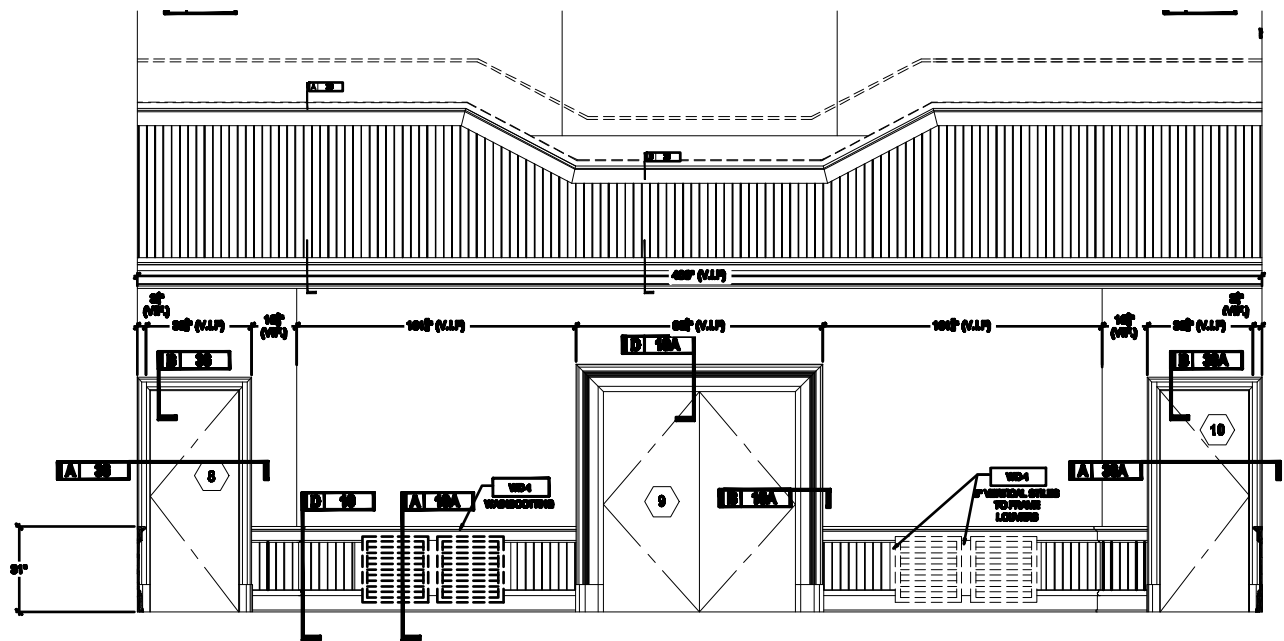




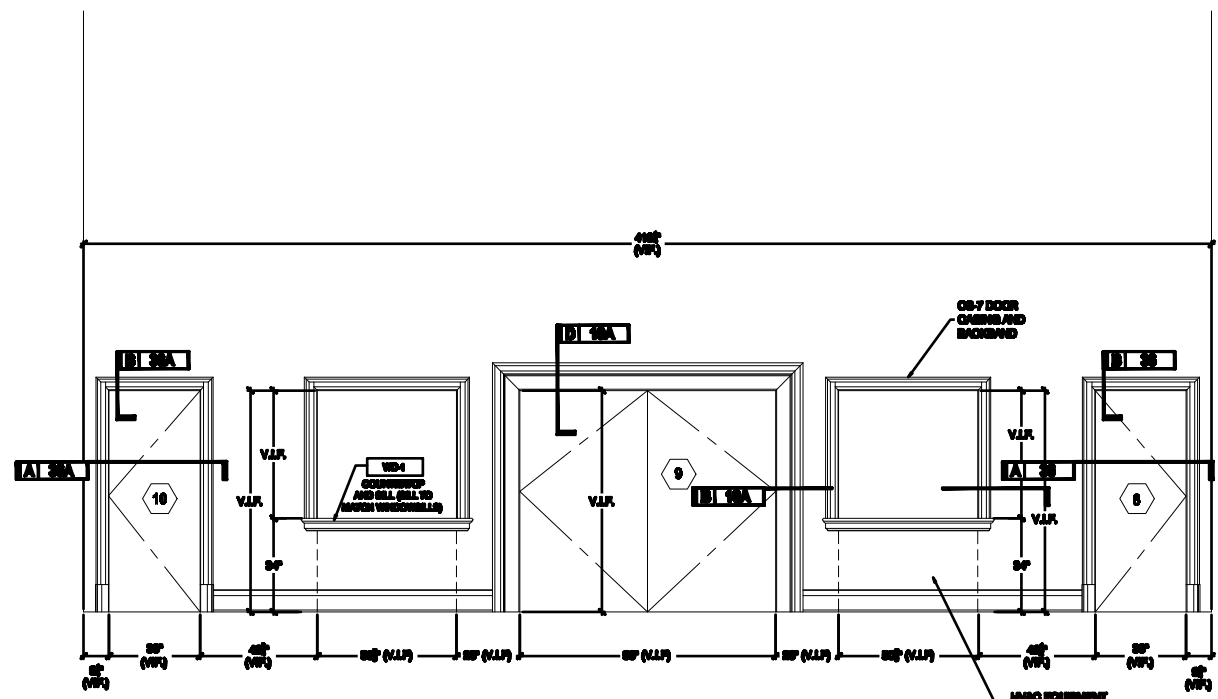
1 7 PLAN VIEW - NAIVE
 REP: 1/1/08 SCALE: 3/8"=1'-0"



1 9 PARTIAL SOUTH ELEVATION - NAVE
 REF: NONE SCALE: 3/8"=1'-0"



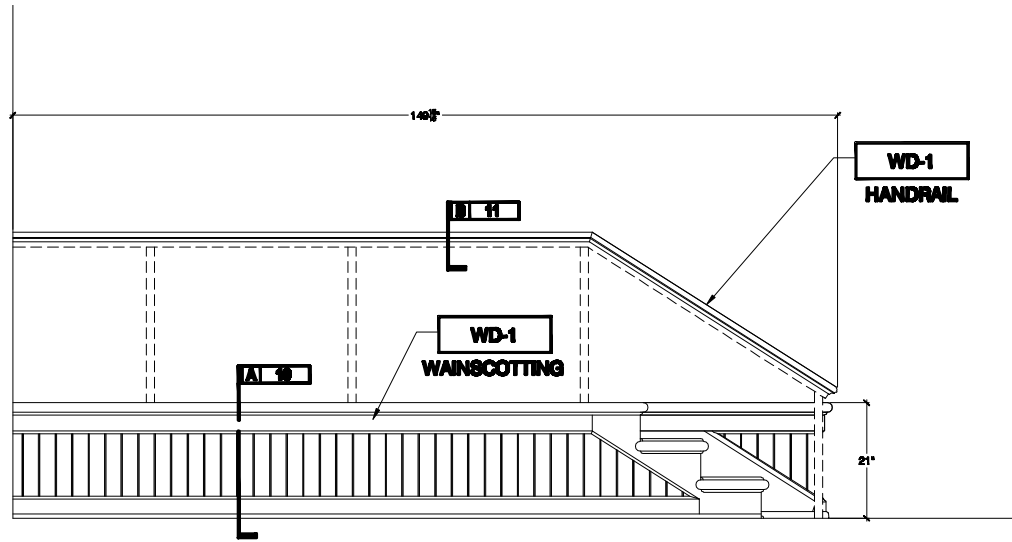
2 9 PARTIAL WEST ELEVATION - NAVE
 REF: 1/A301 9/M SCALE: 3/8"=1'-0"



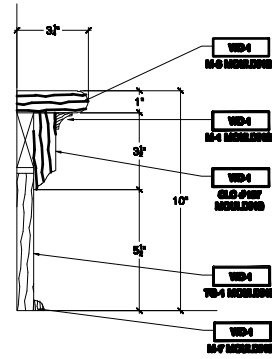
3 9 PARTIAL EAST ELEVATION @ NARTHEX
 REF: 2/A302 SCALE: 3/8"=1'-0"

HVAC EQUIPMENT
 HIDDEN BEHIND PANEL
 @ WALL, AND HVAC
 BY OTHERS

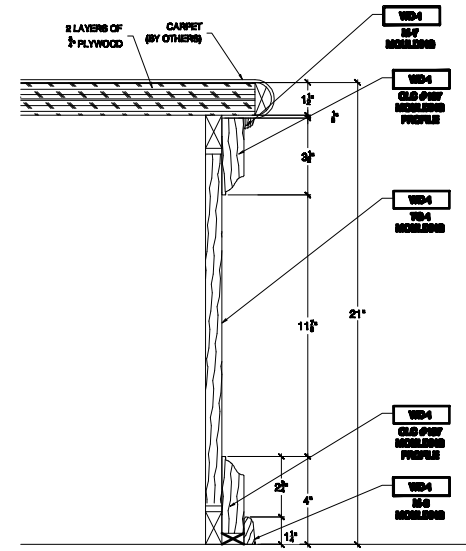




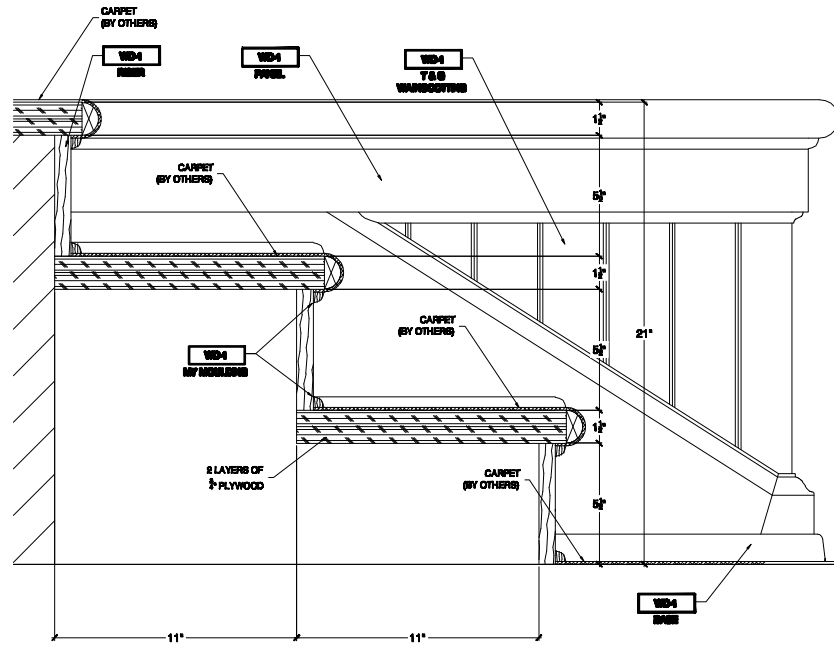
1 | 10 | DETAIL ELEVATION - NAVE
REF: NONE SCALE: 3/4"=1'-0"



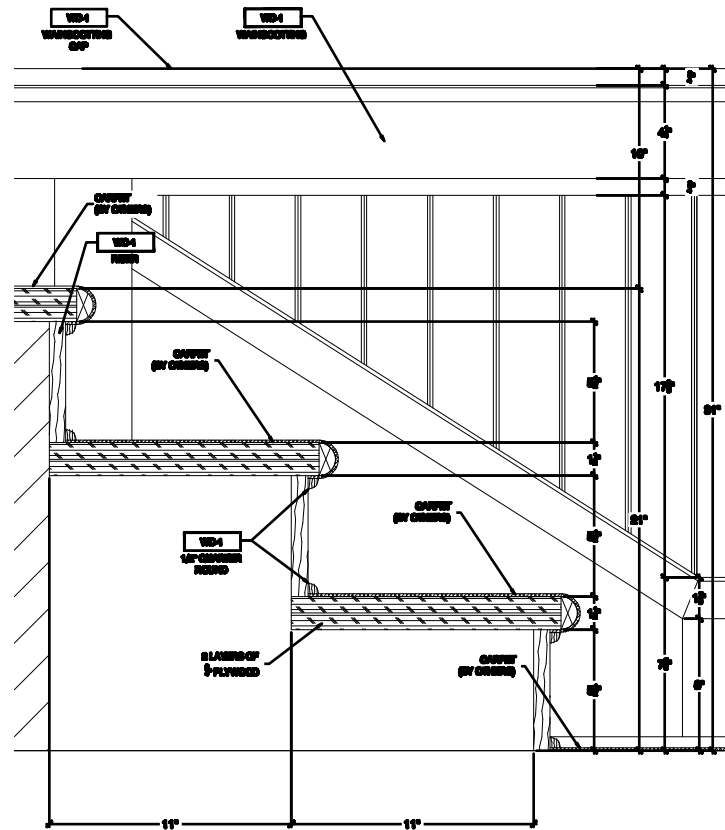
F | 10 | SECTION - WAINSCOTING @ ALTER
REF: 10/A502 SCALE: 3/4"=1'-0"



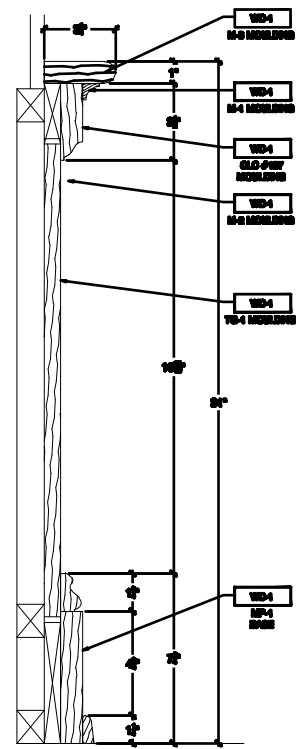
A | 10 | SECTION - PLATFORM WAINSCOTING
REF: 10/A502 SCALE: 3/4"=1'-0"



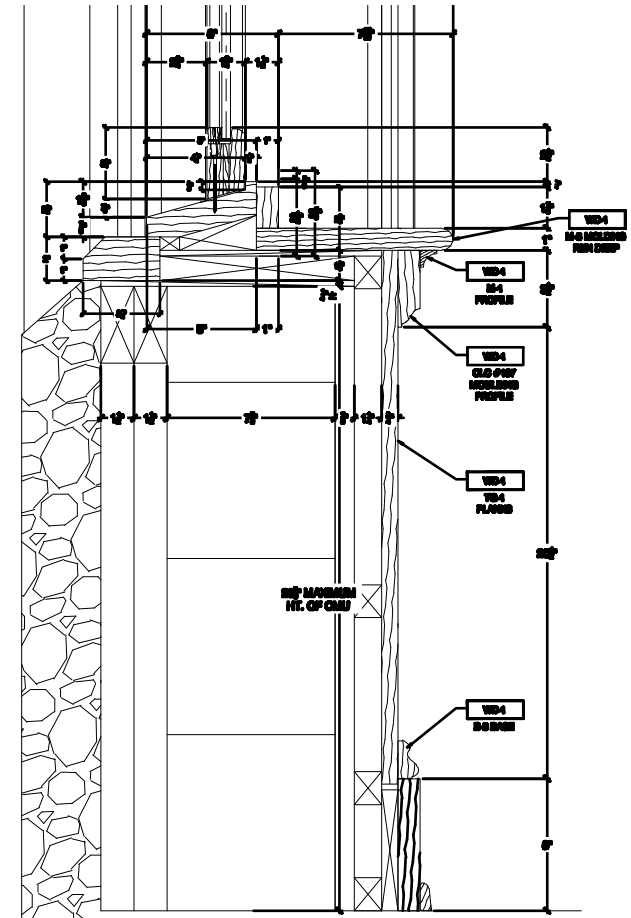
B | 10 | SECTION - PLATFORM STAIRS
REF: 10/A502 SCALE: 3/4"=1'-0"



C | 10 | SECTION - PLATFORM STAIRS
REF: 11/A502 SCALE: 3/4"=1'-0"

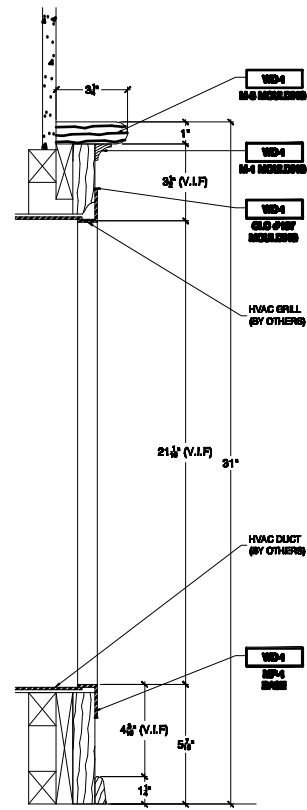


D | 10 | SECTION - NAVE WAINSCOTING
REF: 10/A502 SCALE: 3/4"=1'-0"

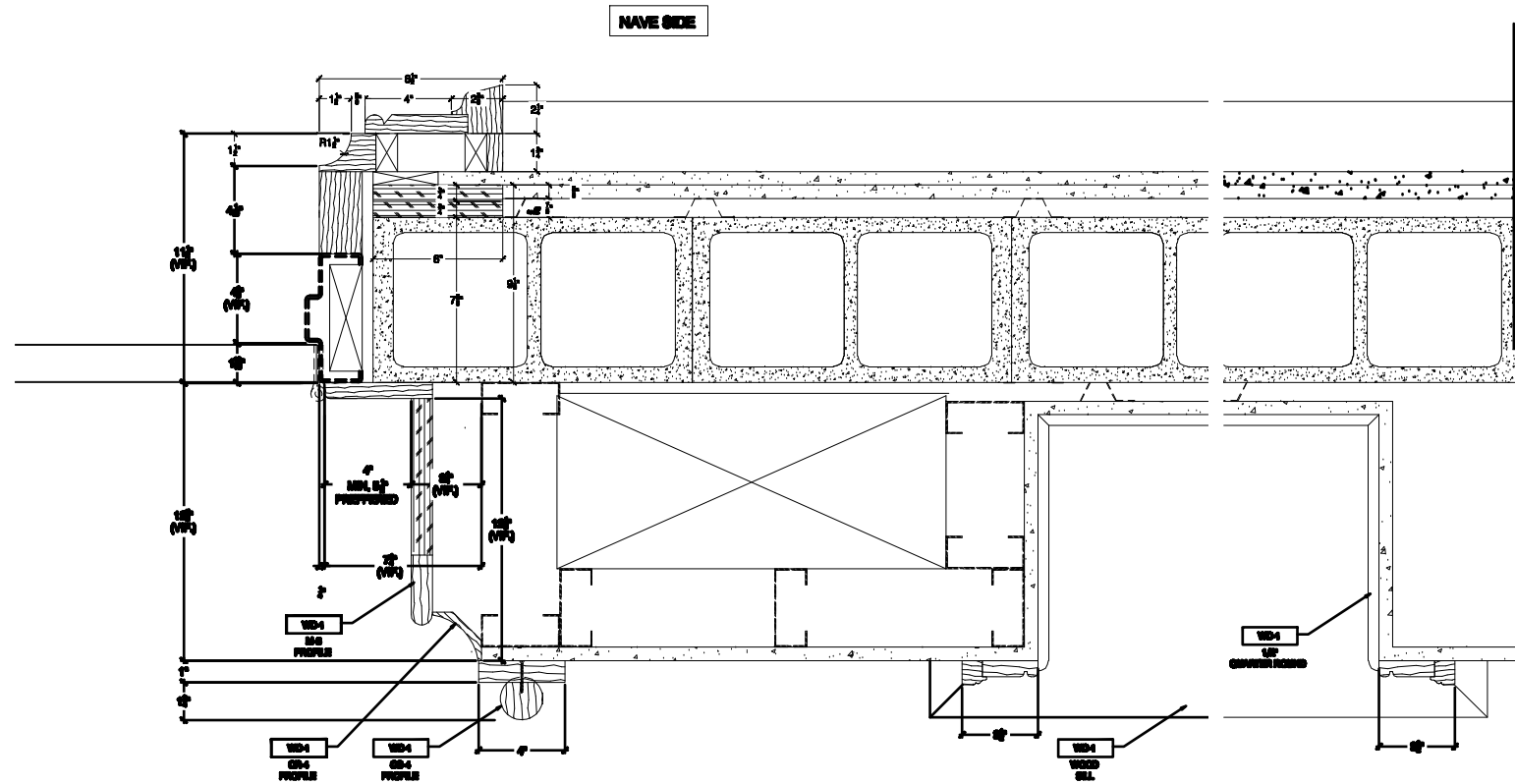


E | 10 | SECTION - NAVE WAINSCOTING @ ALTAR
REF: 10/A502 SCALE: 3/4"=1'-0"

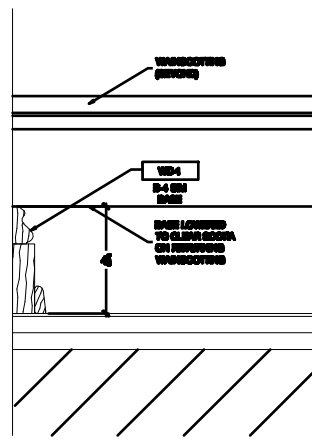




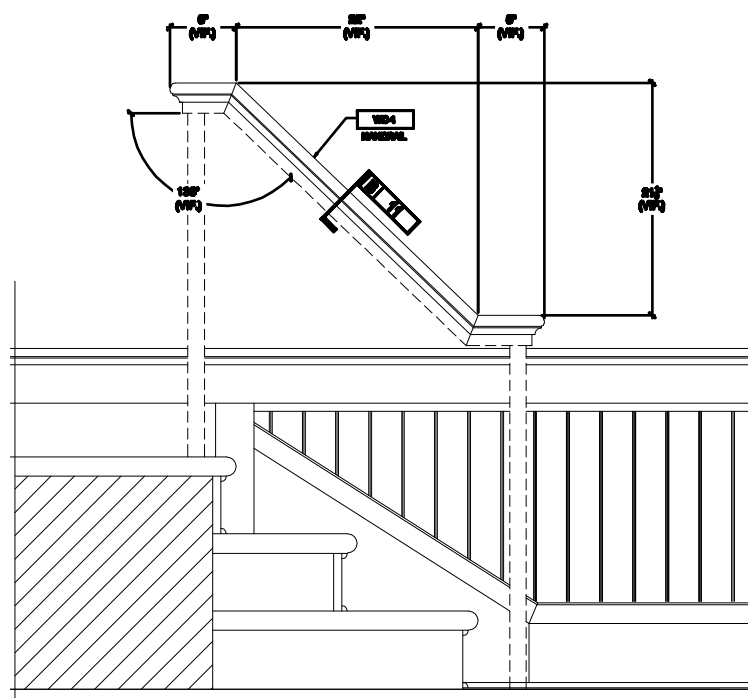
A | 10A | SECTION - NAVE WAINSCOTTING W/GRILL
REF: 12/A501 SCALE: 3/4"=1'



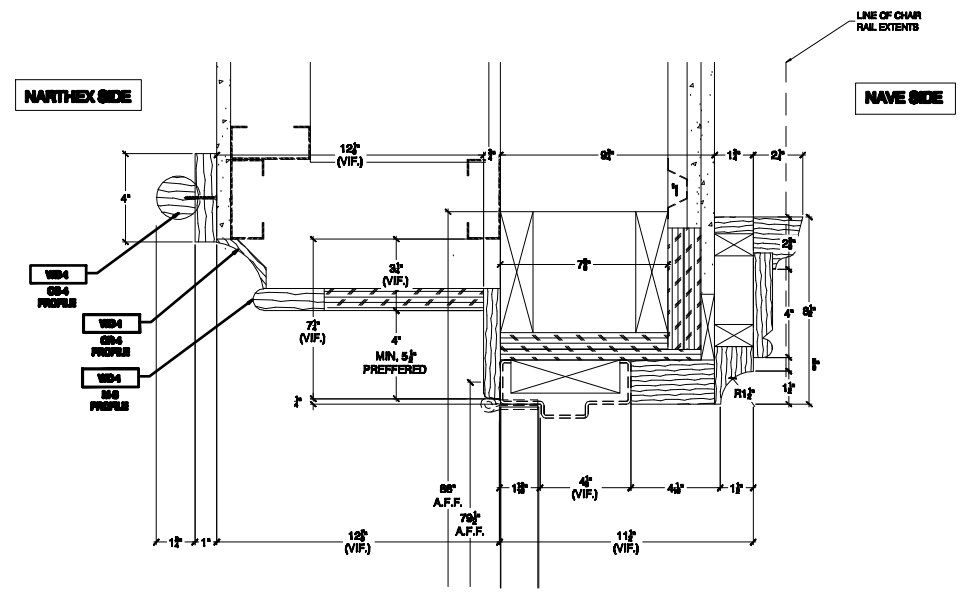
B | 10A | SECTION - NARTHEX ENTRY
REF: 12/A501 SCALE: 3/4"=1'



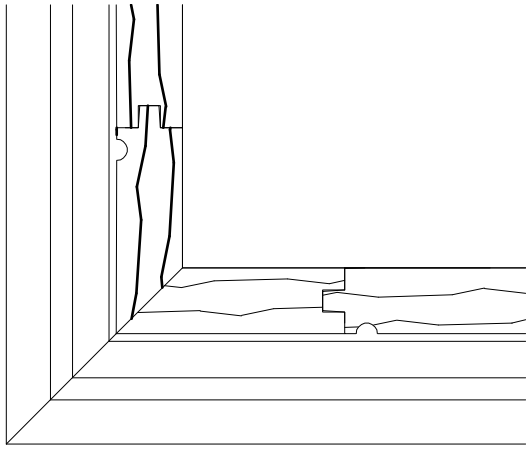
C | 10A | DETAIL - BASE TRANSITION
REF: NONE SCALE: 3/4"=1'



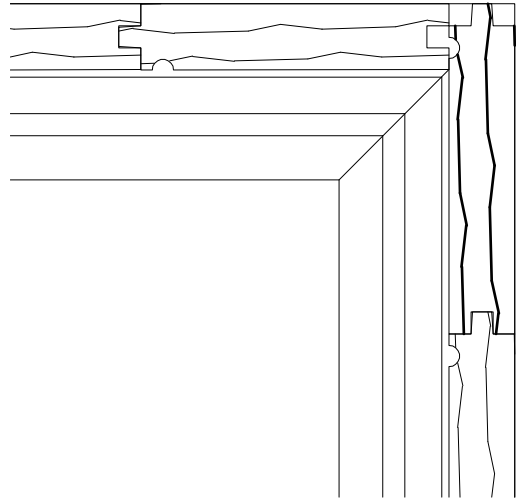
E | 10A | DETAIL ELEVATION - HANDRAIL
REF: NONE SCALE: 3/4"=1'



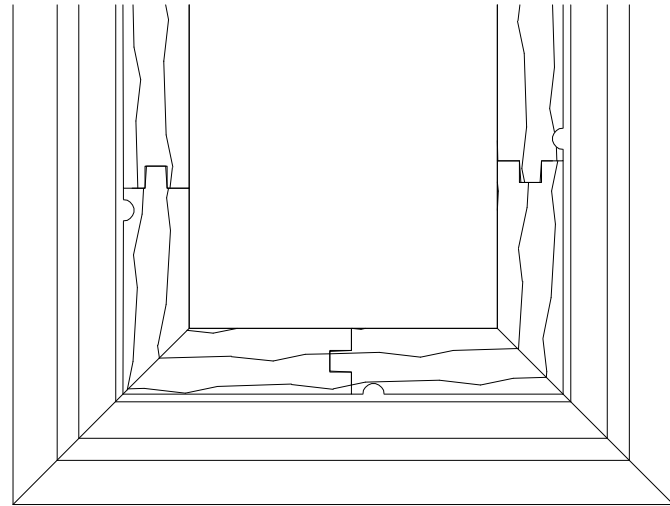
D | 10A | SECTION - NARTHEX ENTRY HEAD
REF: 12/A501 SCALE: 3/4"=1'



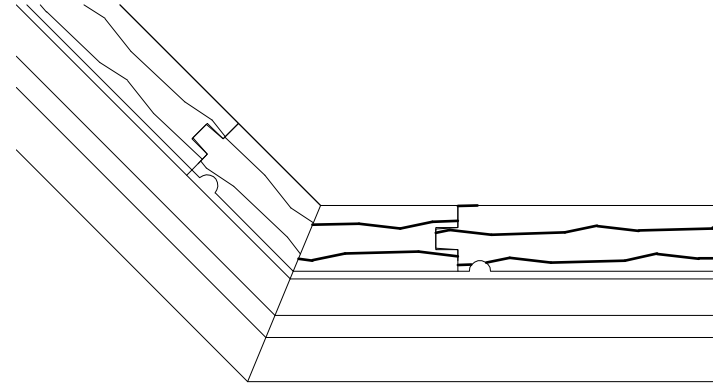
(C) 11 PLAN DETAIL - WINDOW SILL
SCALE: 1/8" = 1'-0"



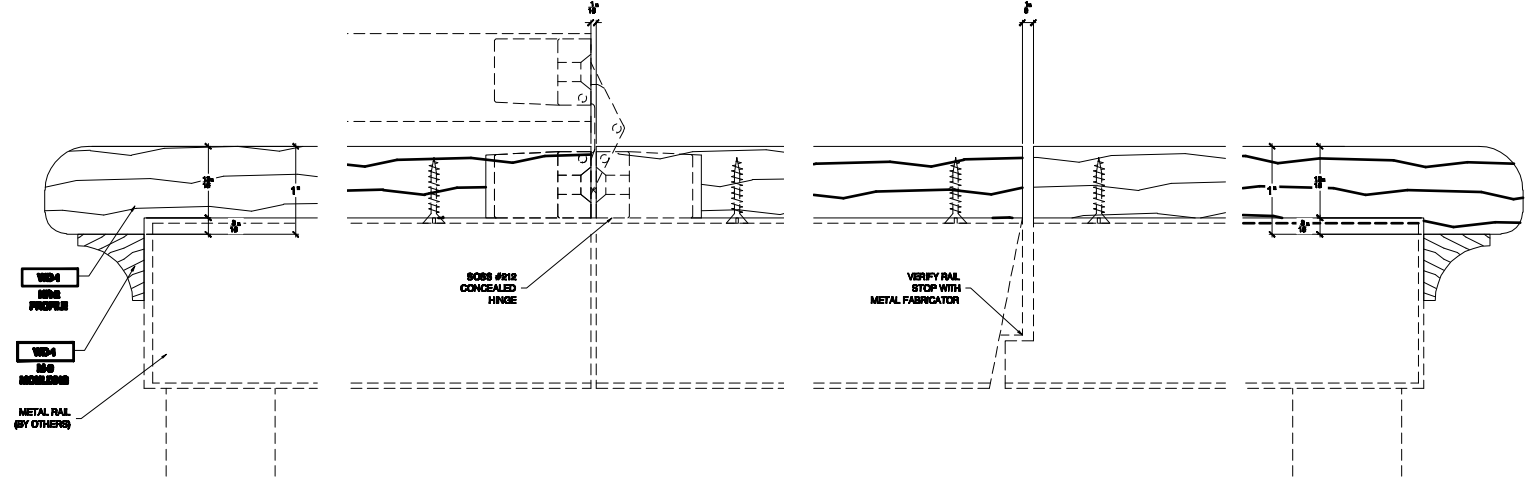
(D) 11 PLAN DETAIL - WINDOW SILL
SCALE: 1/8" = 1'-0"



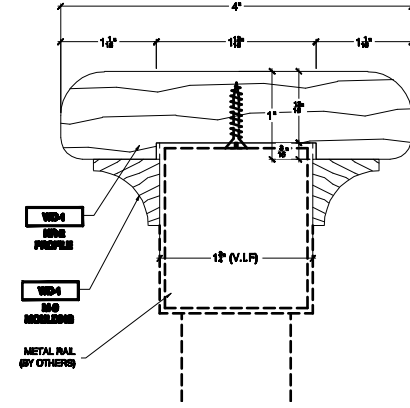
(E) 11 PLAN DETAIL - WALL
SCALE: 1/8" = 1'-0"



(F) 11 PLAN DETAIL - WALL
SCALE: 1/8" = 1'-0"

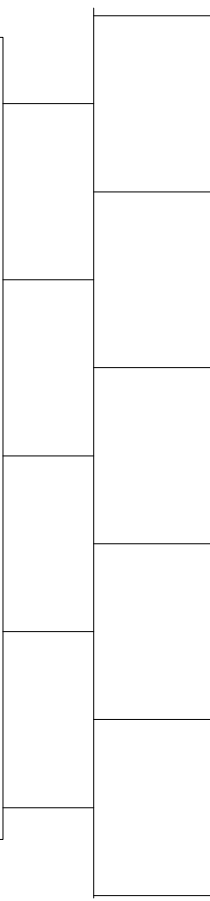
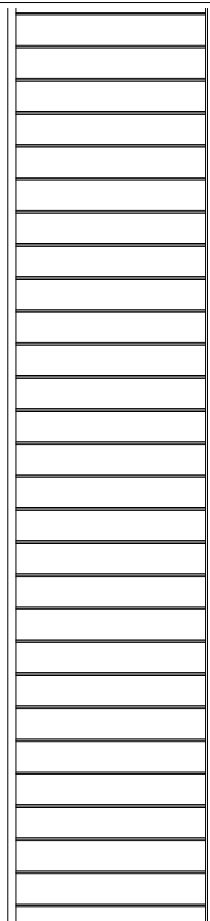
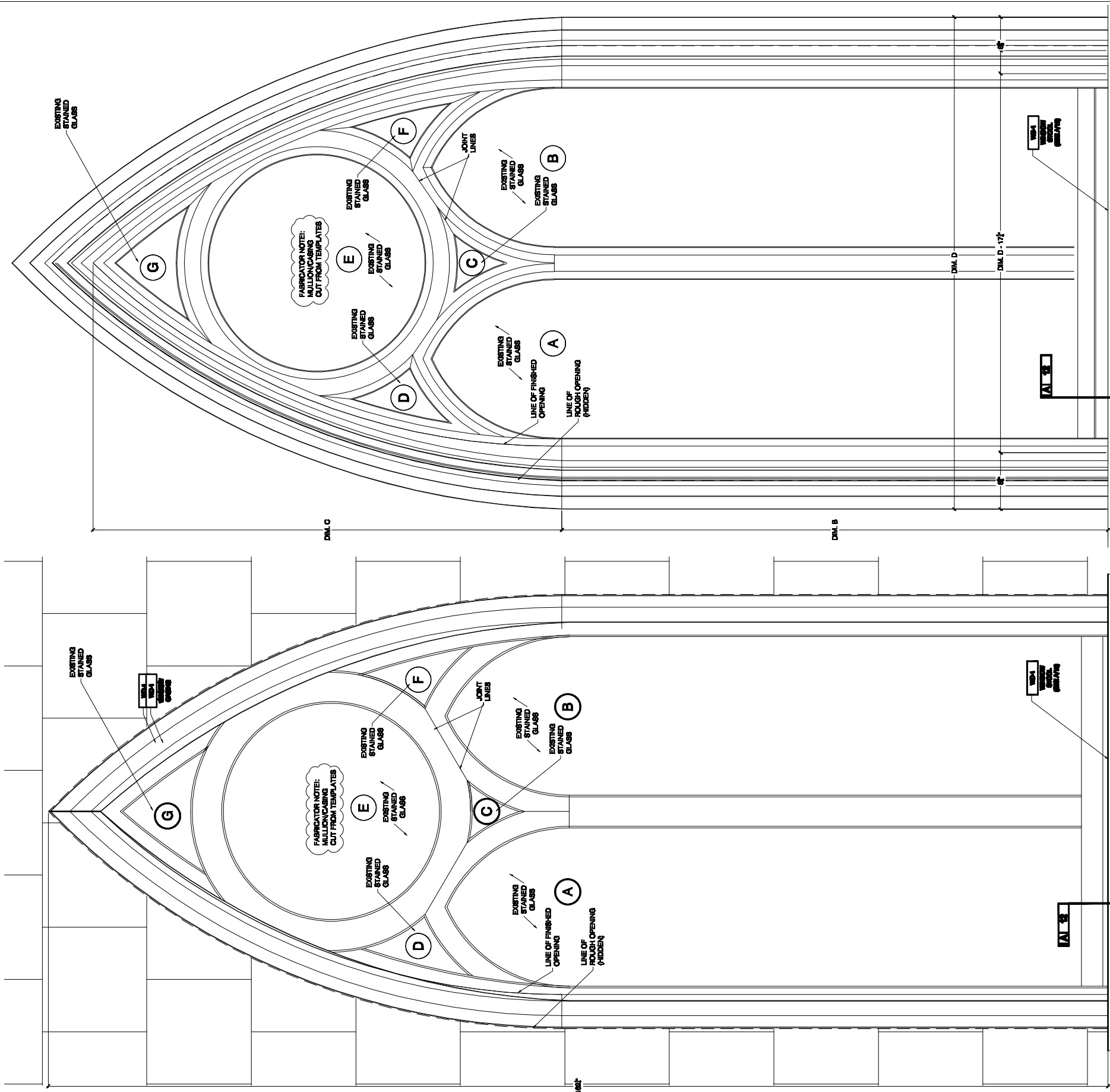


(A) 11 DETAIL - HORIZONTAL
SCALE: 1/8" = 1'-0"



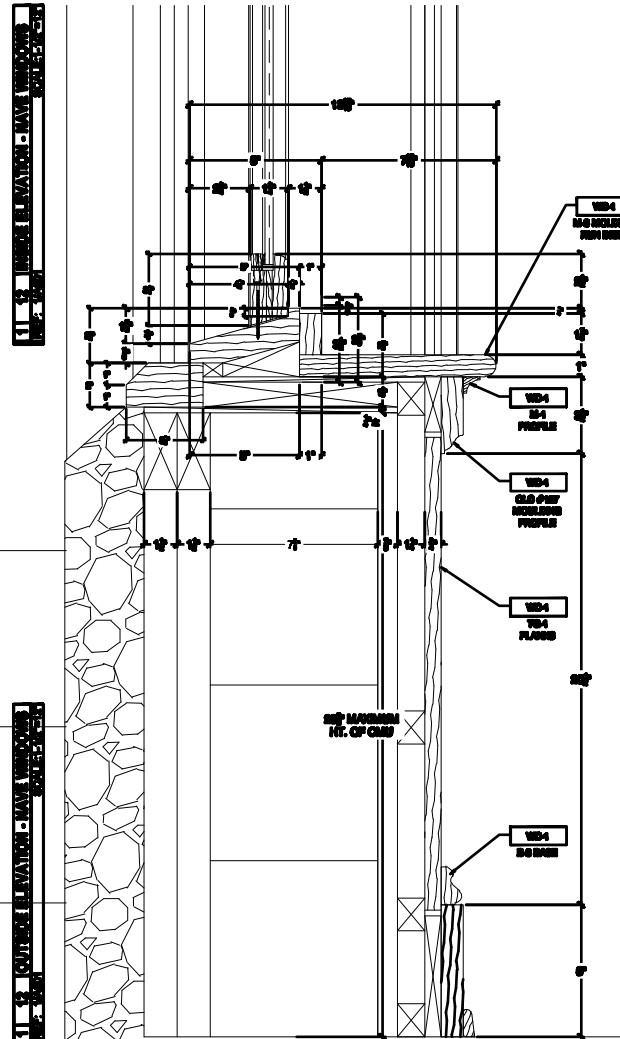
(B) 11 SECTION - HORIZONTAL
SCALE: 1/8" = 1'-0"





NAVE WINDOWS - GLASS DIMENSION SCHEDULE

WINDOW#	A. W x H	B. W x H	C. TMP.#	D. TMP.#	E. DIAMETER	F. TMP.#
1						
2						
3						
4						
5						
6						
7						
8						



A 12 SECTION - WINDOW STOOL
 REF: 10/A502 SCALE: 3/4"=1"